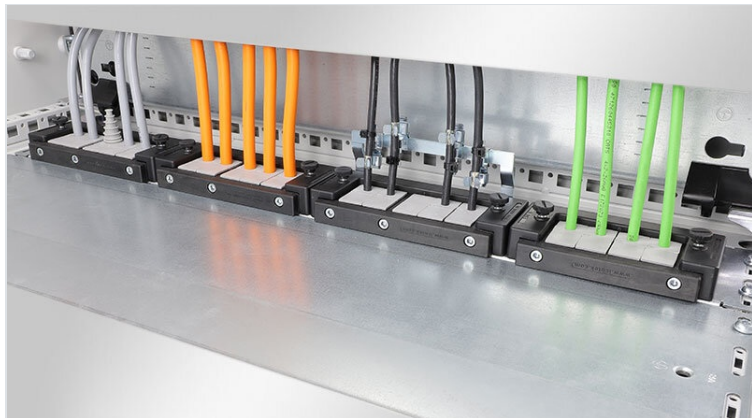


KDR-ESR gland plates with slide frames

for Rittal, nVent Hoffman & Häwa enclosures / IP54



The KDR-ESR is a one-piece plate to be assembled on enclosure bases. Slide frames for the [KEL-U cable entry frames](#) are already pre-assembled. On some gland plate types [KEL-JUMBO cable entry frames](#) can be mounted as well.

After installing all cables into the KEL-U frames, they are easily and quickly inserted into the slide frames and fixed. During maintenance, the KEL-U frames are removed without tools from the slide frames. Due to the combination KDR-ESR and KEL-U cable entry frames, a rating of IP54 is achieved (with correct selection of cable grommets). Slide frames which are no longer required, are closed with [BPK-SNAP blank plates](#).

The extremely narrow (75 mm) gland plate KDRS-ESR-VX25 is assembled on enclosure base plates. This enables straight cable routing into the cable duct, without bending the cables. Thus, the cable duct can be set lower allowing more space for other components in the cabinet.

IP54

HL3
EN 45545-2

RoHS
compliant

REACH
COMPLIANCE

Made in
Germany

Specifications

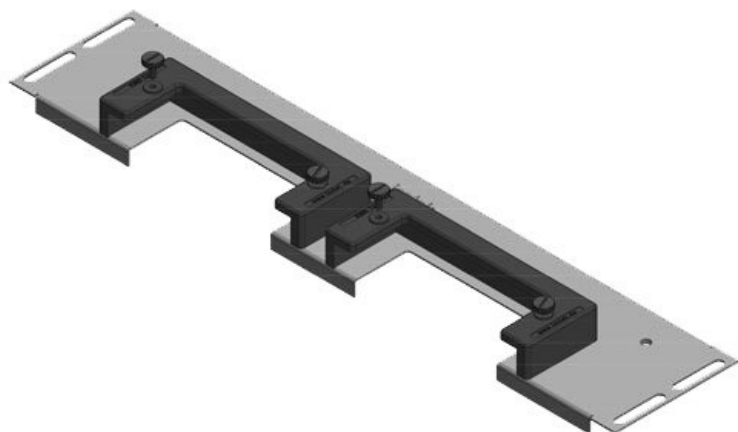
IP rating (EN 60529)	IP54
Material	Base plate: Steel, zinc plated ESR frame: Polyamide
Flame class	UL94-V0, self-extinguishing
Operating temperature	-40 C° to 90 C°
Properties	silicone free, halogen free
Mounting options	Screw type mounting

Advantages & benefits

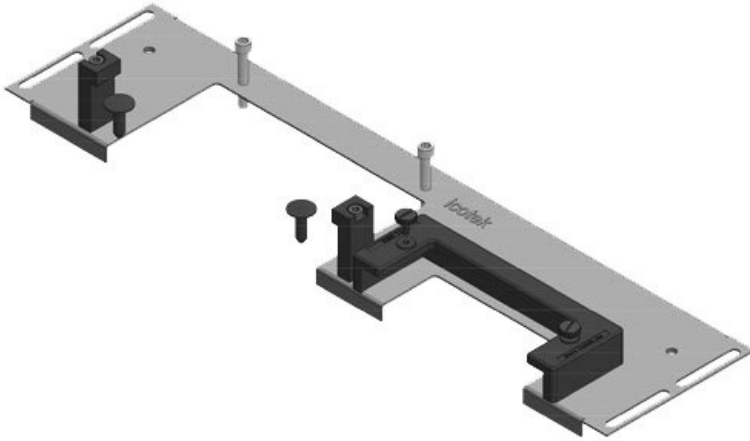
- Easy assembly and removal
- During assembly, almost the complete base of the enclosure can be used for installation of cables
- Even large connectors can be installed easily
- Subsequent assembly possible
- No additional sheet metal work required

Product types & sizes

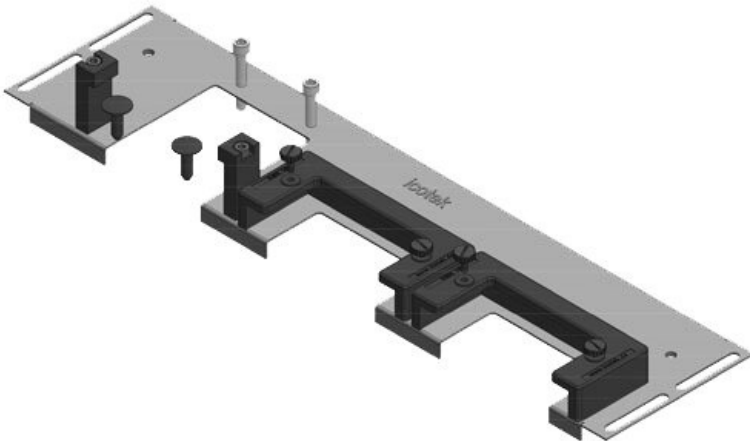
KDR-ESR-VX25-600-44500



Part No.	44500	Total length	488 mm
EAN	4251269319754	gland plate	
		For enclosure	600 mm
Package	1	width	
quantity		Sight size of	452 mm
Suitable for	Rittal VX25	base opening	
enclosure		Suitable for	2 x KEL-U 24
Length	488 mm	cable entry	/ KEL-QUICK
Width	100 mm	systems:	24
Height	43 mm		



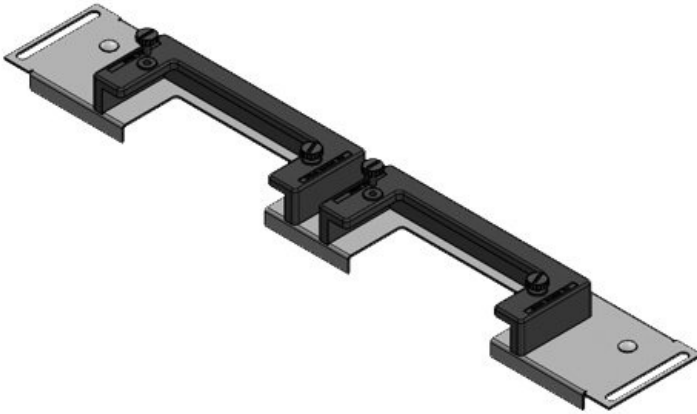
Part No.	44501	Total length	488 mm
EAN	4251269319	gland plate	
	761	For enclosure	600 mm
Package	1	width	
quantity		Sight size of	452 mm
Suitable for	Rittal VX25	base opening	
enclosure		Suitable for	1 × KEL-U 24
Length	488 mm	cable entry	/ KEL-QUICK
Width	120 mm	systems:	24, 1 × KEL-
Height	57 mm		JUMBO 2



Part No.	44502	Total length	488 mm
EAN	4251269319	gland plate	
	778	For enclosure	600 mm
Package	1	width	
quantity		Sight size of	452 mm
Suitable for	Rittal VX25	base opening	
enclosure		Suitable for	2 × KEL-U 16
Length	488 mm	cable entry	/ KEL-QUICK
Width	120 mm	systems:	16, 1 × KEL-
Height	57 mm		JUMBO 1

KDRS-ESR-VX25-600-44512

Part No.	44512	Total length	488 mm
EAN	4251269321	gland plate	
	108	For enclosure	600 mm
Package	1	width	
quantity		Sight size of	452 mm
Suitable for	Rittal VX25	base opening	
enclosure		Suitable for	2 × KEL-U 24
Length	488 mm	cable entry	/ KEL-QUICK
Width	75 mm	systems:	24
Height	44 mm		

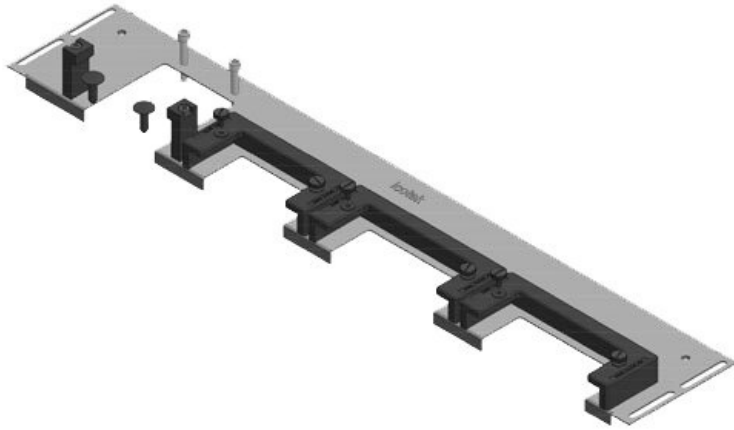


KDR-ESR-VX25-800-44503

Part No.	44503	Total length	688 mm
EAN	4251269319	gland plate	
	785	For enclosure	800 mm
Package	1	width	
quantity		Sight size of	652 mm
Suitable for	Rittal VX25	base opening	
enclosure		Suitable for	3 × KEL-U 24
Length	688 mm	cable entry	/ KEL-QUICK
Width	100 mm	systems:	24, 1 × KEL-
Height	43 mm		U 16 / KEL-
			QUICK 16

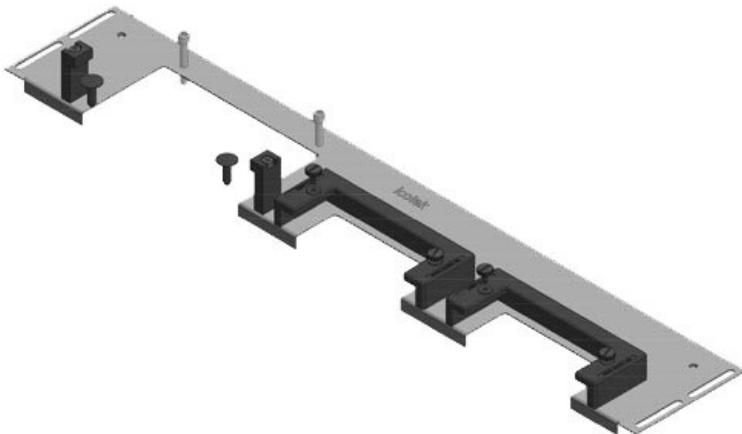


KDR-ESR-VX25-800-44504



Part No.	44504	Total length	688 mm
EAN	4251269319792	gland plate	
Package quantity	1	For enclosure width	800 mm
Suitable for enclosure	Rittal VX25	Sight size of base opening	652 mm
Length	688 mm	Suitable for cable entry systems:	2 × KEL-U 24 / KEL-QUICK 24, 1 × KEL-U 16 / KEL-QUICK 16, 1 × KEL-JUMBO 1
Width	120 mm		
Height	57 mm		

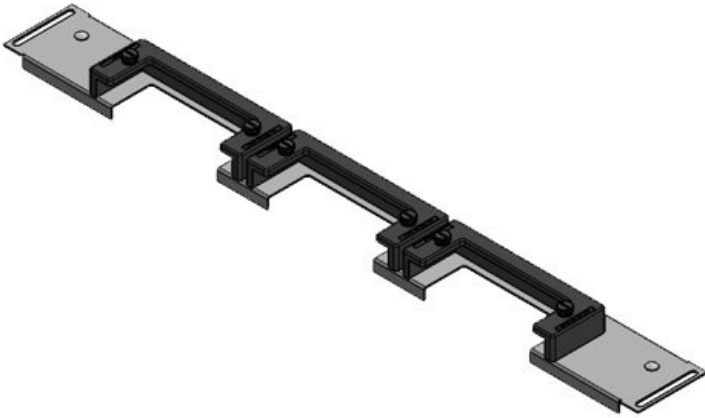
KDR-ESR-VX25-800-44505



Part No.	44505	Total length	688 mm
EAN	4251269319808	gland plate	
Package quantity	1	For enclosure width	800 mm
Suitable for enclosure	Rittal VX25	Sight size of base opening	652 mm
Length	688 mm	Suitable for cable entry systems:	2 × KEL-U 24 / KEL-QUICK 24, 1 × KEL-JUMBO 2
Width	120 mm		
Height	57 mm		

KDRS-ESR-VX25-800-44513

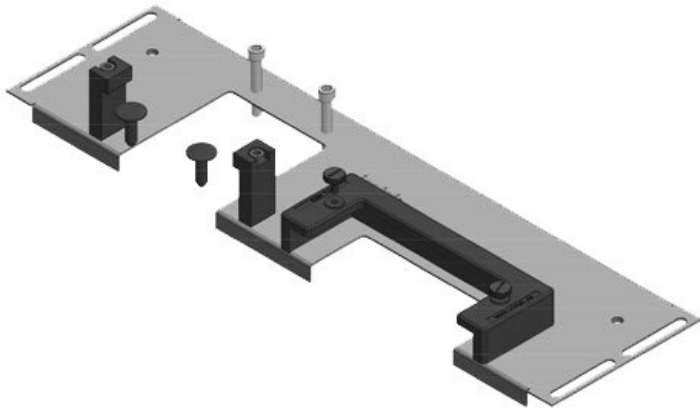
Part No.	44513	Total length	688 mm
EAN	4251269321	gland plate	
	115	For enclosure	800 mm
Package	1	width	
quantity		Sight size of	652 mm
Suitable for	Rittal VX25	base opening	
enclosure		Suitable for	3 × KEL-U 24
Length	688 mm	cable entry	/ KEL-QUICK
Width	75 mm	systems:	24
Height	43 mm		



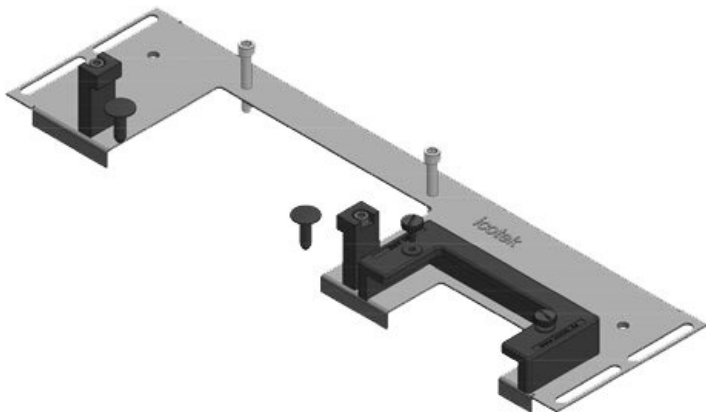
KDR-ESR-VX25-1000-44506

Part No.	44506	Total length	438 mm
EAN	4251269319	gland plate	
	815	For enclosure	1.000 mm
Package	1	width	
quantity		Sight size of	402 mm
Suitable for	Rittal VX25	base opening	
enclosure		Division bar	yes
Length	438 mm	Suitable for	2 × KEL-U 24
Width	100 mm	cable entry	/ KEL-QUICK
Height	43 mm	systems:	24





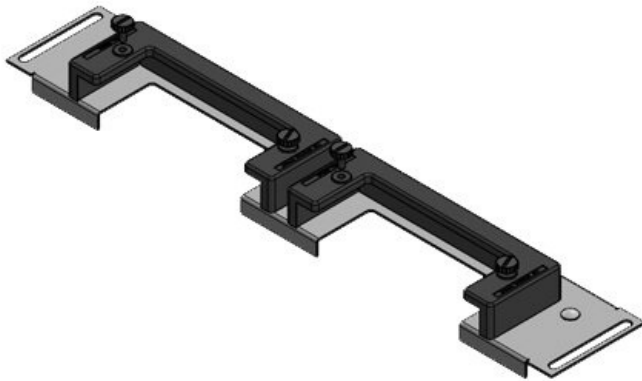
Part No.	44507	Total length	438 mm
EAN	4251269319	gland plate	
	822	For enclosure	1.000 mm
Package	1	width	
quantity		Sight size of	402 mm
Suitable for	Rittal VX25	base opening	
enclosure		Division bar	yes
Length	438 mm	Suitable for	1 × KEL-U 24
Width	120 mm	cable entry	/ KEL-QUICK
Height	57 mm	systems:	24, 1 × KEL-
			JUMBO 1



Part No.	44508	Total length	438 mm
EAN	4251269319	gland plate	
	839	For enclosure	1.000 mm
Package	1	width	
quantity		Sight size of	402 mm
Suitable for	Rittal VX25	base opening	
enclosure		Division bar	yes
Length	438 mm	Suitable for	1 × KEL-U 16
Width	120 mm	cable entry	/ KEL-QUICK
Height	57 mm	systems:	16, 1 × KEL-
			JUMBO 2

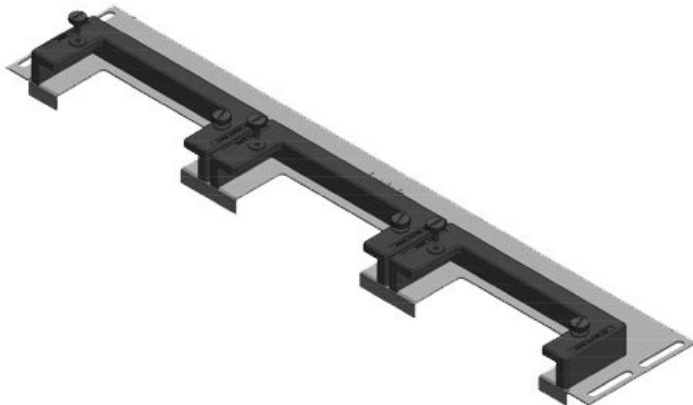
KDRS-ESR-VX25-1000-44514

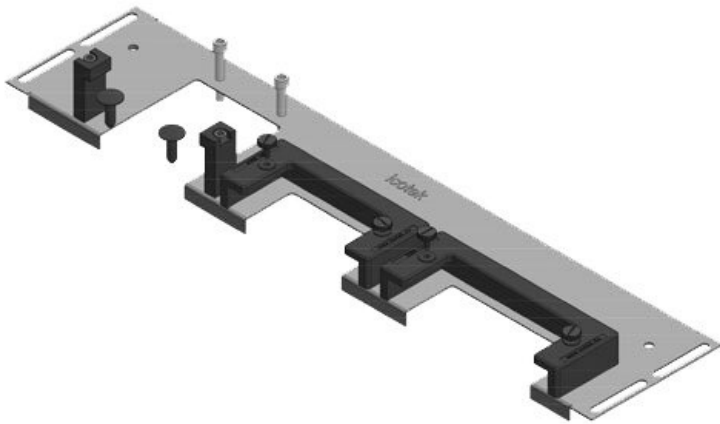
Part No.	44514	Total length	438 mm
EAN	4251269321	gland plate	
	122	For enclosure	1.000 mm
Package	1	width	
quantity		Sight size of	402 mm
Suitable for	Rittal VX25	base opening	
enclosure		Suitable for	2 × KEL-U 24
Length	438 mm	cable entry	/ KEL-QUICK
Width	75 mm	systems:	24
Height	44 mm		



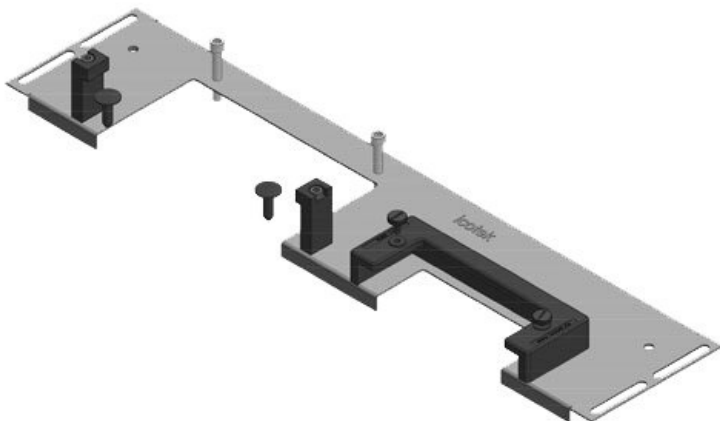
KDR-ESR-VX25-1200-44509

Part No.	44509	Total length	538 mm
EAN	4251269319	gland plate	
	846	For enclosure	1.200 mm
Package	1	width	
quantity		Sight size of	502 mm
Suitable for	Rittal VX25	base opening	
enclosure		Suitable for	3 × KEL-U 24
Length	538 mm	cable entry	/ KEL-QUICK
Width	100 mm	systems:	24
Height	43 mm		





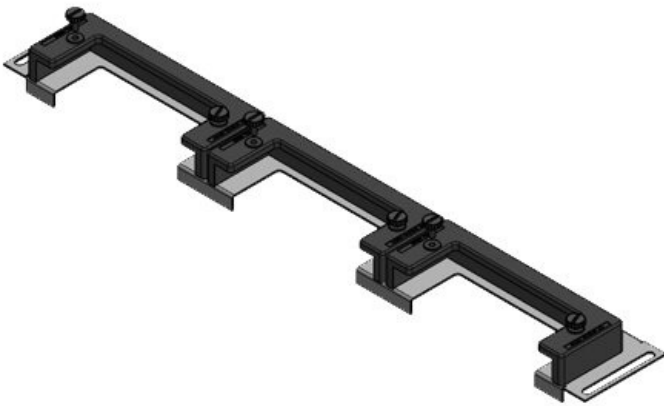
Part No.	44510	Total length	538 mm
EAN	4251269319	gland plate	
	853	For enclosure	1.200 mm
Package	1	width	
quantity		Sight size of	502 mm
Suitable for	Rittal VX25	base opening	
enclosure		Suitable for	1 × KEL-U 24
Length	538 mm	cable entry	/ KEL-QUICK
Width	120 mm	systems:	24, 1 × KEL-
Height	57 mm		U 16 / KEL-
			QUICK 16, 1
			× KEL-JUMBO
			1

KDR-ESR-VX25-1200-44511


Part No.	44511	Total length	538 mm
EAN	4251269319	gland plate	
	860	For enclosure	1.200 mm
Package	1	width	
quantity		Sight size of	502 mm
Suitable for	Rittal VX25	base opening	
enclosure		Suitable for	1 × KEL-U 24
Length	538 mm	cable entry	/ KEL-QUICK
Width	120 mm	systems:	24, 1 × KEL-
Height	57 mm		JUMBO 2

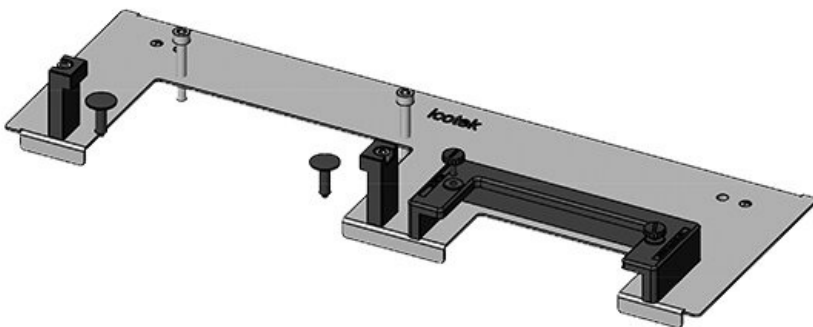
KDRS-ESR-VX25-1200-44515

Part No.	44515	Total length	538 mm
EAN	4251269321	gland plate	
	139	For enclosure	1.200 mm
Package	1	width	
quantity		Sight size of	502 mm
Suitable for	Rittal VX25	base opening	
enclosure		Suitable for	3 × KEL-U 24
Length	538 mm	cable entry	/ KEL-QUICK
Width	75 mm	systems:	24
Height	44 mm		

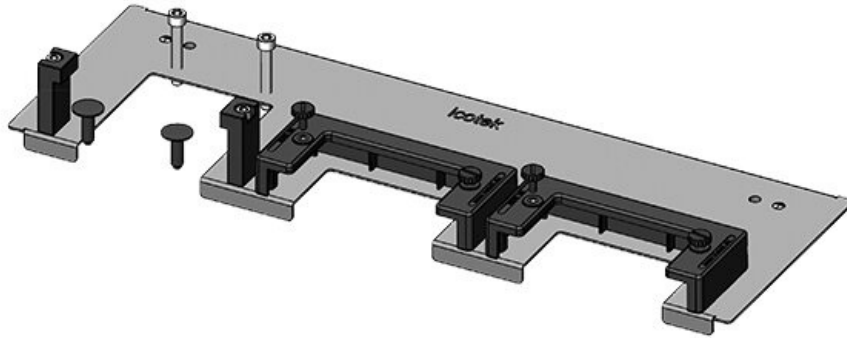


KDR-ESR-TS8-600-43070

Part No.	43070	Total length	458 mm
EAN	4251269309	gland plate	
	519	For enclosure	600 mm
Package	1	width	
quantity		Sight size of	435 mm
Suitable for	Rittal TS 8	base opening	
enclosure		Suitable for	1 × KEL-U 24
Length	458 mm	cable entry	/ KEL-QUICK
Width	150 mm	systems:	24, 1 × KEL-
Height	57 mm		JUMBO 2

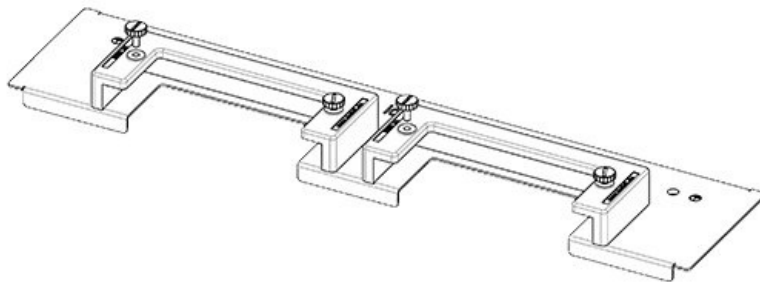


KDR-ESR-TS8-600-43071



Part No.	43071	Total length	458 mm
EAN	4251269309	gland plate	
	526	For enclosure	600 mm
Package	1	width	
quantity		Sight size of	435 mm
Suitable for	Rittal TS 8	base opening	
enclosure		Suitable for	2 × KEL-U 16
Length	458 mm	cable entry	/ KEL-QUICK
Width	150 mm	systems:	16, 1 × KEL-
Height	57 mm		JUMBO 1

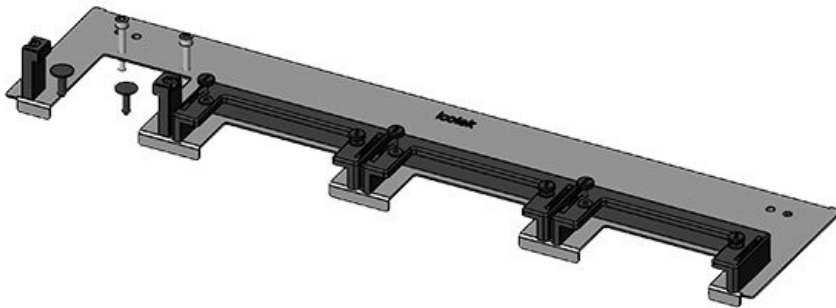
KDR-ESR-TS8-600-43079



Part No.	43079	Total length	458 mm
EAN	4251269309	gland plate	
	601	For enclosure	600 mm
Package	1	width	
quantity		Sight size of	435 mm
Suitable for	Rittal TS 8	base opening	
enclosure		Suitable for	2 × KEL-U 24
Length	458 mm	cable entry	/ KEL-QUICK
Width	100 mm	systems:	24
Height	44 mm		

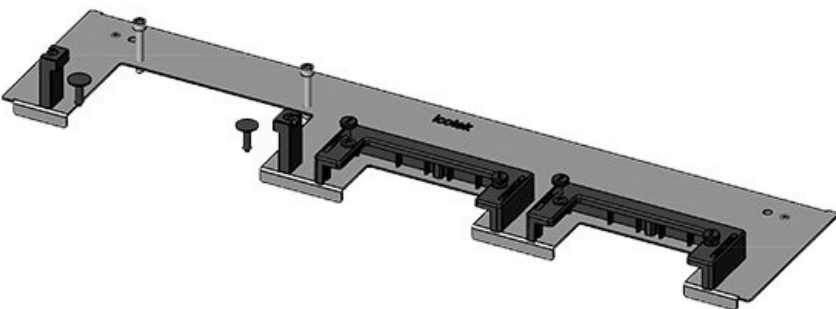
KDR-ESR-TS8-800-43072

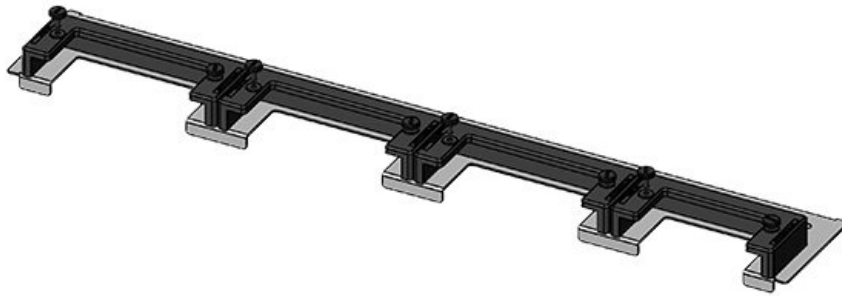
Part No.	43072	Total length	658 mm
EAN	4251269309533	gland plate	
Package quantity	1	For enclosure width	800 mm
Suitable for enclosure	Rittal TS 8	Sight size of base opening	635 mm
Length	658 mm	Suitable for cable entry systems:	3 × KEL-U 24 / KEL-QUICK 24, 1 × KEL-JUMBO 1
Width	150 mm		
Height	57 mm		



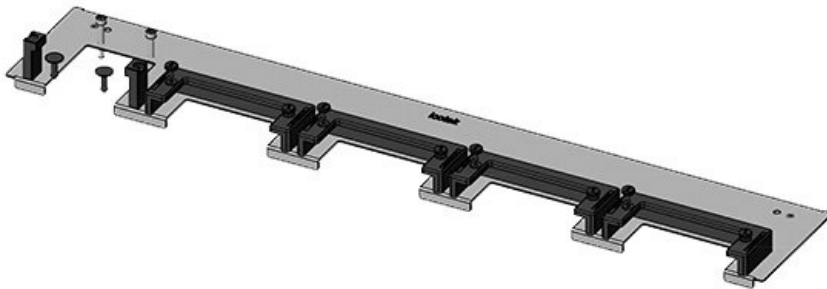
KDR-ESR-TS8-800-43073

Part No.	43073	Total length	658 mm
EAN	4251269309540	gland plate	
Package quantity	1	For enclosure width	800 mm
Suitable for enclosure	Rittal TS 8	Sight size of base opening	635 mm
Length	658 mm	Suitable for cable entry systems:	2 × KEL-U 24 / KEL-QUICK 24, 1 × KEL-JUMBO 2
Width	150 mm		
Height	57 mm		



KDR-ESR-TS8-800-43080

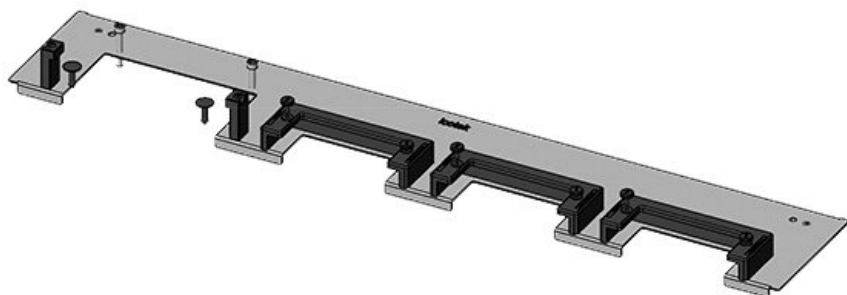
Part No.	43080	Total length	658 mm
EAN	4251269309	gland plate	
	618	For enclosure	800 mm
Package	1	width	
quantity		Sight size of	635 mm
Suitable for	Rittal TS 8	base opening	
enclosure		Suitable for	3 × KEL-U 24
Length	658 mm	cable entry	/ KEL-QUICK
Width	100 mm	systems:	24, 1 × KEL-
Height	44 mm		U 16 / KEL-
			QUICK 16

KDR-ESR-TS8-1000-43074

Part No.	43074	Total length	858 mm
EAN	4251269309	gland plate	
	557	For enclosure	1.000 mm
Package	1	width	
quantity		Sight size of	835 mm
Suitable for	Rittal TS 8	base opening	
enclosure		Division bar	no
Length	858 mm	Suitable for	4 × KEL-U 24
Width	150 mm	cable entry	/ KEL-QUICK
Height	57 mm	systems:	24, 1 × KEL-
			JUMBO 1

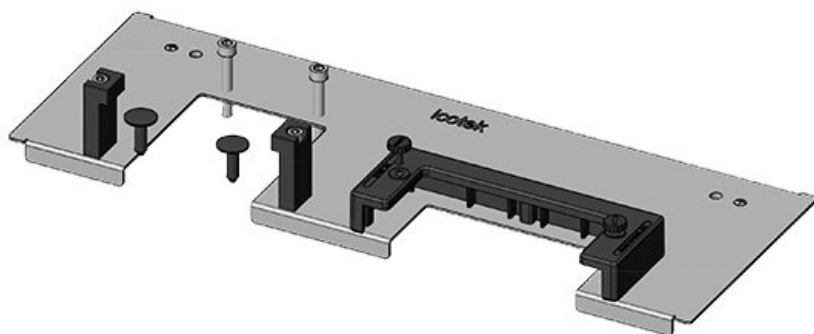
KDR-ESR-TS8-1000-43075

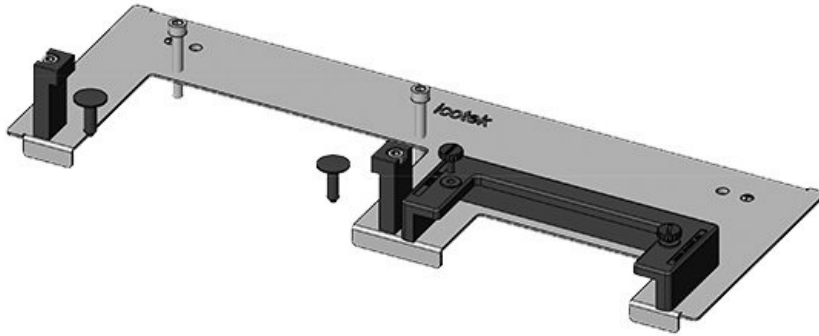
Part No.	43075	Total length	858 mm
EAN	4251269309564	gland plate	no
Package quantity	1	For enclosure width	1.000 mm
Suitable for enclosure	Rittal TS 8	Sight size of base opening	835 mm
Length	858 mm	Division bar	no
Width	150 mm	Suitable for cable entry systems:	3 × KEL-U 24 / KEL-QUICK 24, 1 × KEL-JUMBO 2
Height	57 mm		



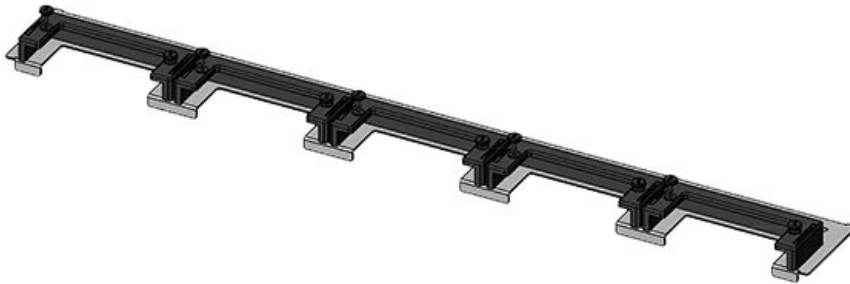
KDR-ESR-TS8-1000-43076

Part No.	43076	Total length	420 mm
EAN	4251269309571	gland plate	no
Package quantity	1	For enclosure width	1.000 mm
Suitable for enclosure	Rittal TS 8	Sight size of base opening	398 mm
Length	420 mm	Division bar	yes
Width	150 mm	Suitable for cable entry systems:	1 × KEL-U 24 / KEL-QUICK 24, 1 × KEL-JUMBO 1
Height	57 mm		





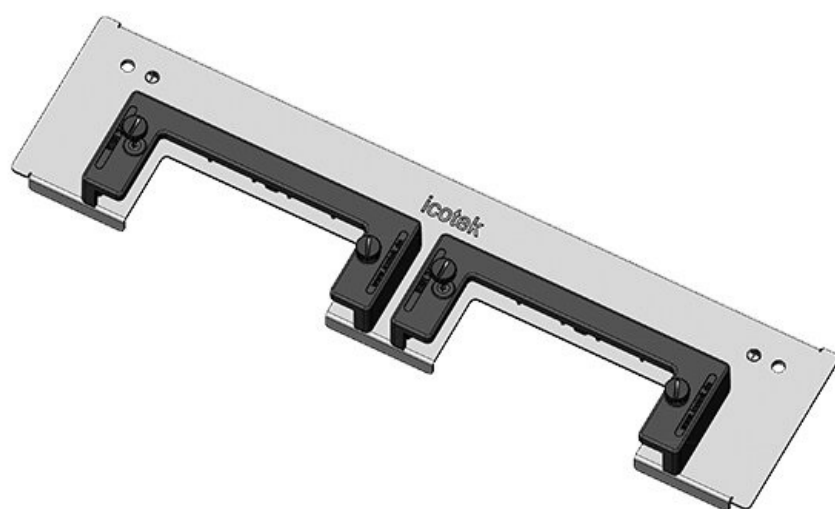
Part No.	43077	Total length	420 mm
EAN	4251269309	gland plate	
	588	For enclosure	1.000 mm
Package	1	width	
quantity		Sight size of	398 mm
Suitable for	Rittal TS 8	base opening	
enclosure		Division bar	yes
Length	420 mm	Suitable for	1 × KEL-U 24
Width	150 mm	cable entry	/ KEL-QUICK
Height	57 mm	systems:	24, 1 × KEL-
			JUMBO 2



Part No.	43081	Total length	858 mm
EAN	4251269309	gland plate	
	625	For enclosure	1.000 mm
Package	1	width	
quantity		Sight size of	835 mm
Suitable for	Rittal TS 8	base opening	
enclosure		Division bar	no
Length	858 mm	Suitable for	5 × KEL-U 24
Width	100 mm	cable entry	/ KEL-QUICK
Height	44 mm	systems:	24

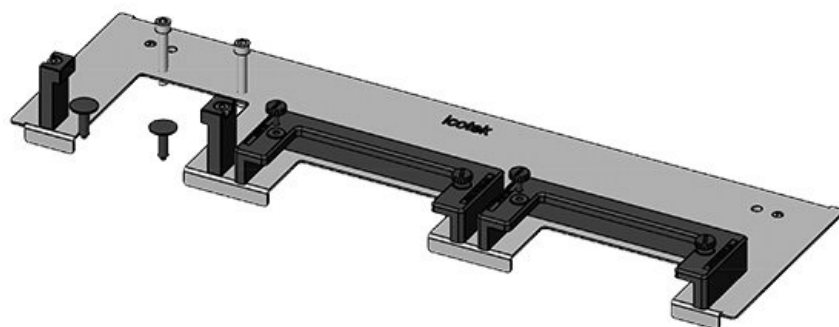
KDR-ESR-TS8-1000-43082

Part No.	43082	Total length	420 mm
EAN	4251269309632	gland plate	
Package quantity	1	For enclosure width	1.000 mm
Suitable for enclosure	Rittal TS 8	Sight size of base opening	398 mm
Length	420 mm	Division bar	yes
Width	100 mm	Suitable for cable entry systems:	2 × KEL-U 24 / KEL-QUICK
Height	44 mm		24

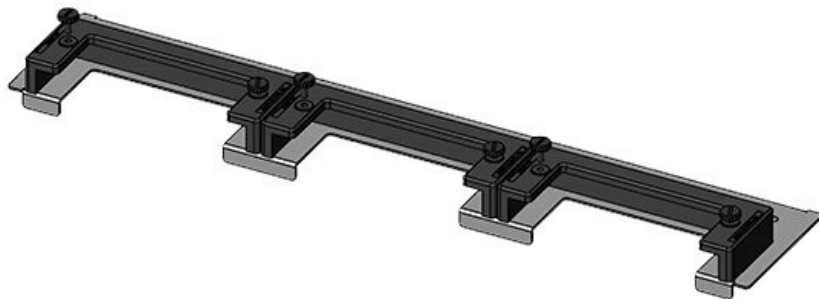


KDR-ESR-TS8-1200-43078

Part No.	43078	Total length	518 mm
EAN	4251269309595	gland plate	
Package quantity	1	For enclosure width	1.200 mm
Suitable for enclosure	Rittal TS 8	Sight size of base opening	495 mm
Length	518 mm	Suitable for cable entry systems:	2 × KEL-U 24 / KEL-QUICK
Width	150 mm		24, 1 × KEL-JUMBO 1
Height	57 mm		

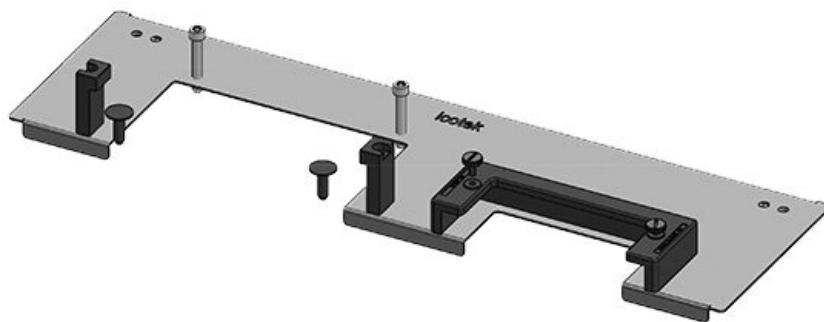


KDR-ESR-TS8-1200-43083



Part No.	43083	Total length	518 mm
EAN	4251269309649	gland plate	
Package quantity	1	For enclosure width	1.200 mm
Suitable for enclosure	Rittal TS 8	Sight size of base opening	495 mm
Length	518 mm	Suitable for cable entry systems:	3 × KEL-U 24 / KEL-QUICK
Width	100 mm		24
Height	44 mm		

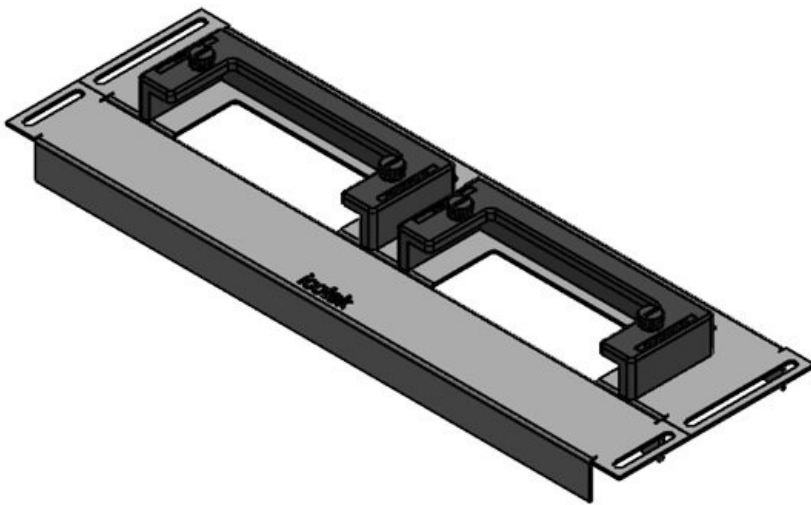
KDR-ESR-TS8-1200-43084



Part No.	43084	Total length	518 mm
EAN	4251269309656	gland plate	
Package quantity	1	For enclosure width	1.200 mm
Suitable for enclosure	Rittal TS 8	Sight size of base opening	495 mm
Length	518 mm	Suitable for cable entry systems:	1 × KEL-U 24 / KEL-QUICK
Width	150 mm		24, 1 × KEL-JUMBO 2
Height	57 mm		

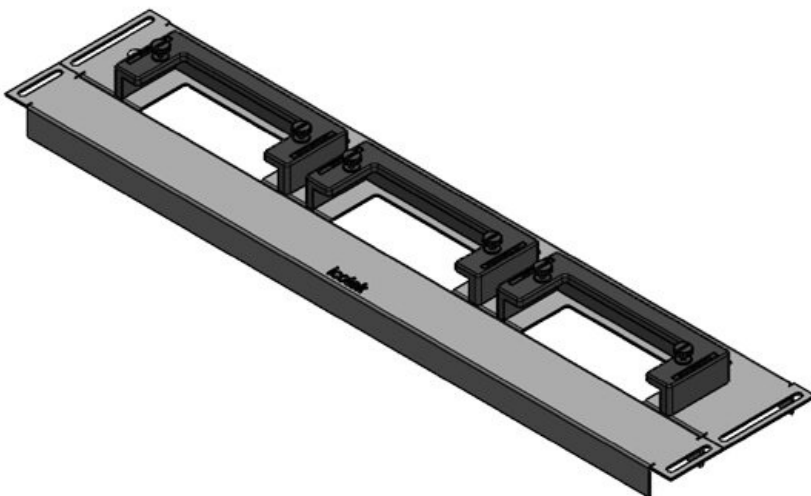
KDR-ESR-HW-600 + blank sheet

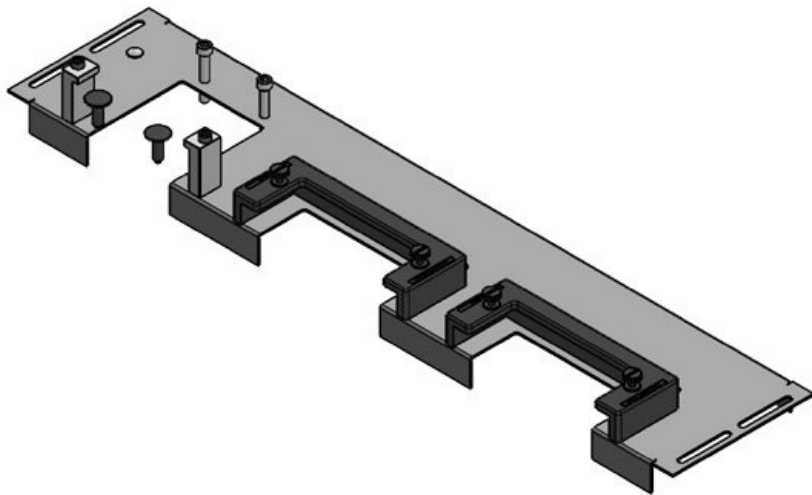
Part No.	44520	Total length	427 mm
EAN	4251269324	gland plate	
	543	For enclosure	600 mm
Package	1	width	
quantity		Sight size of	392 mm
Suitable for	Häwa H390 /	base opening	
enclosure	H395	Suitable for	2 × KEL-U 24
Length	427 mm	cable entry	/ KEL-QUICK
Width	136 mm	systems:	24
Height	56 mm		



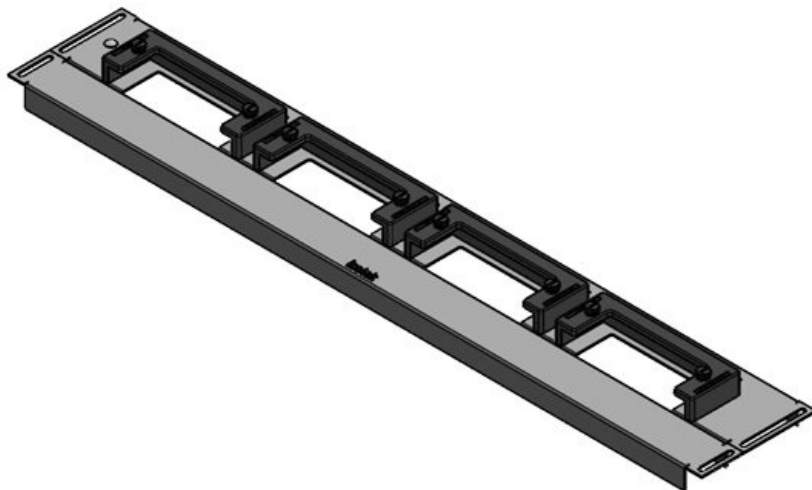
KDR-ESR-HW-800 + blank sheet

Part No.	44521	Total length	627 mm
EAN	4251269324	gland plate	
	550	For enclosure	800 mm
Package	1	width	
quantity		Sight size of	592 mm
Suitable for	Häwa H390 /	base opening	
enclosure	H395	Suitable for	3 × KEL-U 24
Length	627 mm	cable entry	/ KEL-QUICK
Width	136 mm	systems:	24
Height	59 mm		



KDR-ESR-HW-800

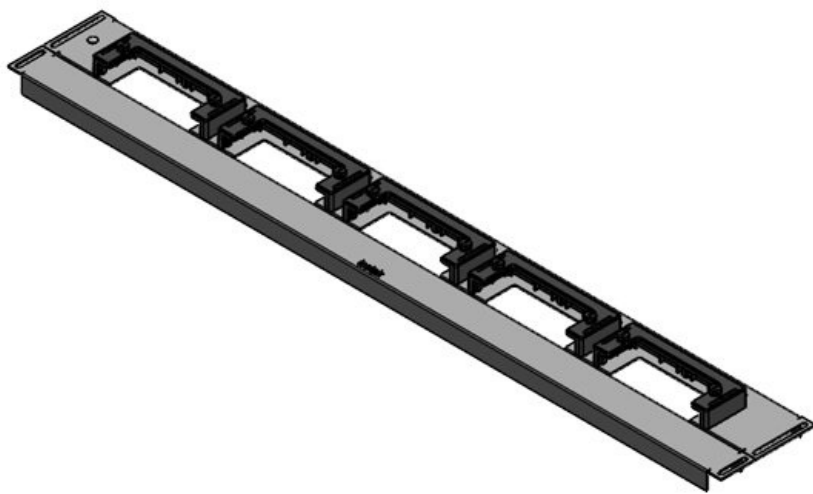
Part No.	44522	Total length	627 mm
EAN	4251269324	gland plate	
	567	For enclosure	800 mm
Package	1	width	
quantity		Sight size of	592 mm
Suitable for	Häwa H390 /	base opening	
enclosure	H395	Suitable for	2 × KEL-U 24
Length	627 mm	cable entry	/ KEL-QUICK
Width	133 mm	systems:	24, 1 × KEL-
Height	70 mm		JUMBO 1

KDR-ESR-HW-1000 + blank sheet

Part No.	44523	Total length	827 mm
EAN	4251269324	gland plate	
	574	For enclosure	1.000 mm
Package	1	width	
quantity		Sight size of	792 mm
Suitable for	Häwa H390 /	base opening	
enclosure	H395	Suitable for	4 × KEL-U 24
Length	827 mm	cable entry	/ KEL-QUICK
Width	136 mm	systems:	24
Height	56 mm		

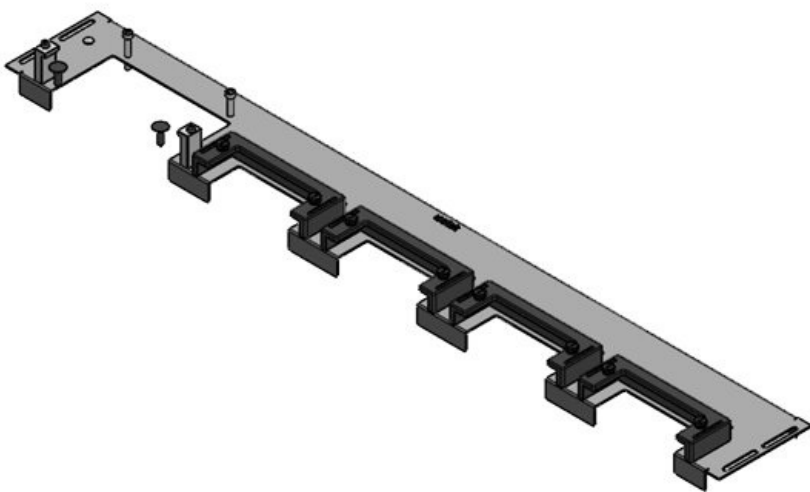
KDR-ESR-HW-1200 + blank sheet

Part No.	44524	Total length	1.027 mm
EAN	4251269324	gland plate	
	581	For enclosure width	1.200 mm
Package quantity	1	Sight size of base opening	992 mm
Suitable for enclosure	Häwa H390 / H395	Suitable for cable entry systems:	5 × KEL-U 24 / KEL-QUICK 24
Length	1.027 mm		
Width	136 mm		
Height	56 mm		

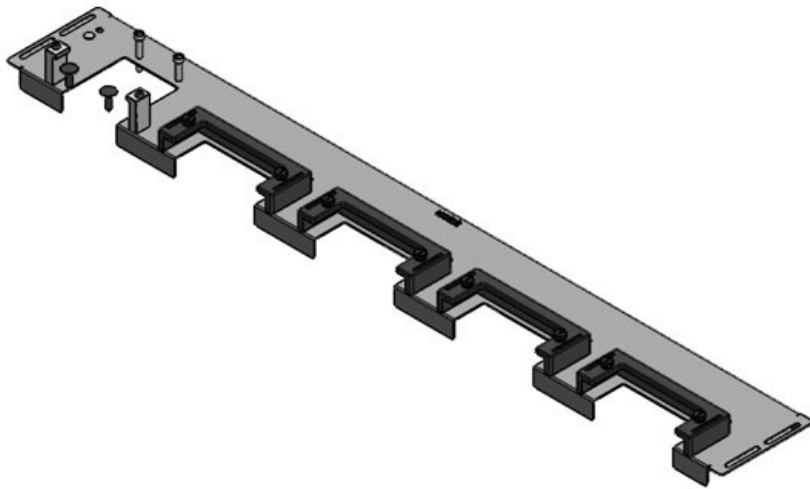


KDR-ESR-HW-1200-1

Part No.	44526	Total length	1.027 mm
EAN	4251269324	gland plate	
	604	For enclosure width	1.200 mm
Package quantity	1	Sight size of base opening	992 mm
Suitable for enclosure	Häwa H390 / H395	Suitable for cable entry systems:	4 × KEL-U 24 / KEL-QUICK 24, 1 × KEL-JUMBO 1
Length	1.027 mm		
Width	133 mm		
Height	70 mm		

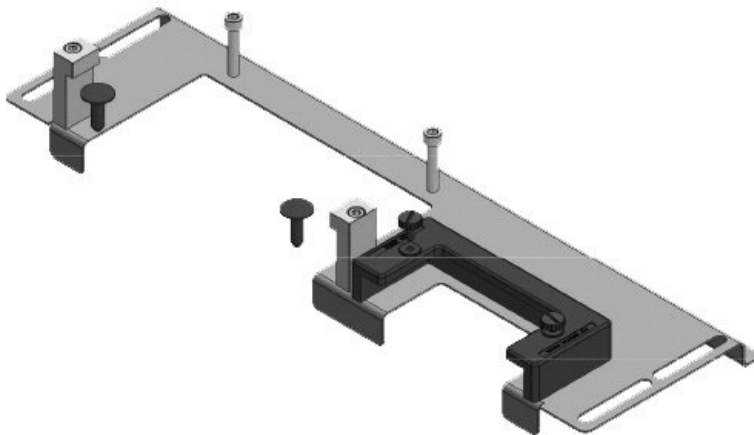


KDR-ESR-HW-1200-1



Part No.	44525	Total length	1.027 mm
EAN	4251269324	gland plate	
	598	For enclosure	1.200 mm
Package	1	width	
quantity		Sight size of	992 mm
Suitable for	Häwa H390 /	base opening	
enclosure	H395	Suitable for	4 × KEL-U 24
Length	1.027 mm	cable entry	/ KEL-QUICK
Width	133 mm	systems:	24, 1 × KEL-
Height	70 mm		JUMBO 2

KDR-ESR-HG2-600-43250



Part No.	43250	Total length	432 mm
EAN	4251269317	gland plate	
	033	For enclosure	600 mm
Package	1	width	
quantity		Sight size of	368 mm
Suitable for	nVent	base opening	
enclosure	Hoffman	Suitable for	1 × KEL-U 16
	PROLINE G2	cable entry	/ KEL-QUICK
Length	432 mm	systems:	16, 1 × KEL-
Width	131,5 mm		JUMBO 2
Height	62,3 mm		

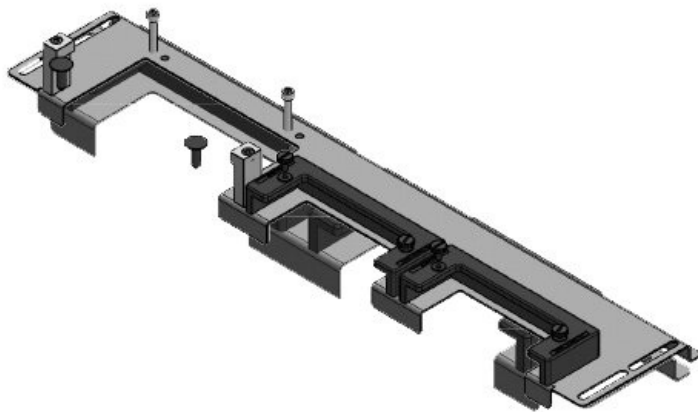
KDR-ESR-HG2-600-43251

Part No.	43251	Total length	432 mm
EAN	4251269317040	gland plate	
Package quantity	1	For enclosure width	600 mm
Suitable for enclosure	nVent Hoffman PROLINE G2	Sight size of base opening	368 mm
Length	432 mm	Suitable for cable entry systems:	2 × KEL-U 24 / KEL-QUICK 24
Width	81 mm		
Height	52,8 mm		



KDR-ESR-HG2-800-43252

Part No.	43252	Total length	632 mm
EAN	4251269317057	gland plate	
Package quantity	1	For enclosure width	800 mm
Suitable for enclosure	nVent Hoffman PROLINE G2	Sight size of base opening	568 mm
Length	632 mm	Suitable for cable entry systems:	2 × KEL-U 24 / KEL-QUICK 24, 1 × KEL-JUMBO 2
Width	131,5 mm		
Height	45 mm		

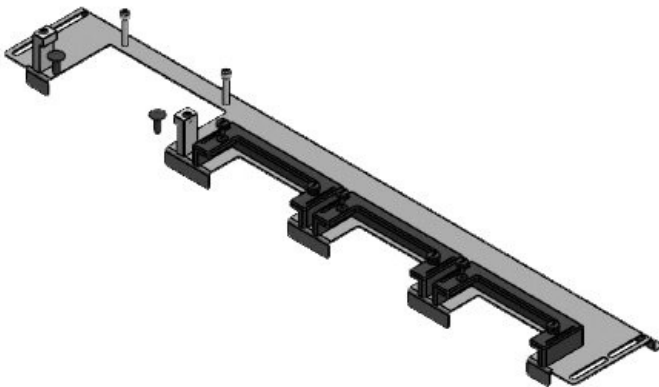


KDR-ESR-HG2-800-43253



Part No.	43253	Total length	632 mm
EAN	4251269317064	gland plate	
Package quantity	1	For enclosure width	800 mm
Suitable for enclosure	nVent Hoffman PROLINE G2	Sight size of base opening	568 mm
Length	632 mm	Suitable for cable entry systems:	3 × KEL-U 24 / KEL-QUICK 24
Width	81 mm		
Height	52,8 mm		

KDR-ESR-HG2-1000-43254



Part No.	43254	Total length	832 mm
EAN	4251269317071	gland plate	
Package quantity	1	For enclosure width	1.000 mm
Suitable for enclosure	nVent Hoffman PROLINE G2	Sight size of base opening	768 mm
Length	832 mm	Suitable for cable entry systems:	3 × KEL-U 24 / KEL-QUICK 24, 1 × KEL-JUMBO 2
Width	131,5 mm		
Height	41,3 mm		

Part No.	43255	Total length	832 mm
EAN	4251269317088	gland plate	
Package quantity	1	For enclosure width	1.000 mm
Suitable for enclosure	nVent Hoffman PROLINE G2	Sight size of base opening	768 mm
Length	832 mm	Suitable for cable entry systems:	4 x KEL-U 24 / KEL-QUICK 24
Width	81 mm		
Height	52,8 mm		

